

**NEW**



# THE SAFEST LIFT IN THE WORLD



# Ultralift<sup>plus</sup>

### 1 Safety Catch

The safety catch locks the handle in the 'on' position, providing a robust and positive lock to the lifter mechanism.

### 2 Lifting Eye

Complements the safety catch. Once the lifting eye is in tension with the load, the mechanism locks the handle ensuring the magnet cannot be released by accident. (Patent No. GB2399456)

### 3 Hand Brake Release

The magnet can be released simply, using one hand.

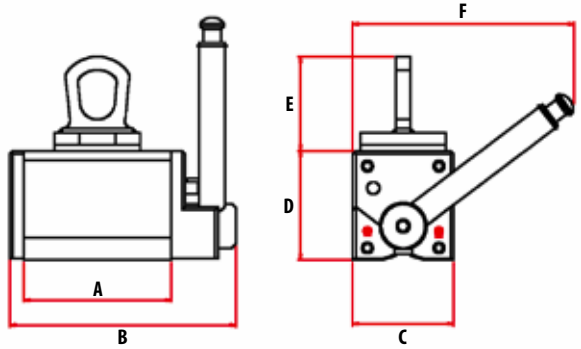
### 4 Safety Shim

The Eclipse Magnetics Ultralift Plus is the only permanent magnet lifter to come complete with a 'safety shim' (internationally patented). Allows pre-testing of the load to be lifted irrespective of weight, material type, material thickness and surface condition.

If the load passes a **3:1 safety factor is guaranteed**

- FASTEST AND SAFEST OPTION FOR LIFTING\***
- Lower the magnet onto the plate
  - Turn the handle
  - Lift in safety

\*on pre-tested or known loads



Model No.	Weight (kg)	Dimensions (mm)						Flat Section		Round Section		
		A	B	C	D	E	F	SWL (kg)	Thickness (mm)	Length Max (mm)	SWL (kg)	Diameter Max (mm)
UL0125+	4	101	155	69	74	64	152	125	20	1500	50	200
UL0250+	11	155	214	92	96	94	218	250	25	1500	100	300
UL0500+	27	224	300	122	128	123	266	500	30	1500	200	400
UL1000+	63	260	359	176	174	149	391	1000	45	1500	400	450
UL2000+	157	368	477	233	227	195	493	2000	70	2000	800	600