

## High Intensity Rare Earth Easy-Clean Grid Magnets



Easy-Clean Grid Magnets can be cleaned in seconds. Simply enable the release mechanism, pull the magnetic cores out of the Stainless Steel cartridge and the contamination simply falls away. Replace the magnetic cores back in the cartridge and the grid is in prime magnetic condition once again.

Easy-Clean Grid Magnets are extremely efficient for removing fine iron contamination from dry free flowing products such as sugar, grain tea, plastic granulate and powdered chemicals.

They are easily fitted into existing

process lines and at finished goods outlet points. Once installed they provide protection against ferrous contamination such as rust and stainless steel scrapings caused by mechanical wear from process machinery, many of which are too small to be detected by a Metal Detector, but are easily removed by these highly efficient magnetic grids.

Easy-Clean Grids are constructed from a number of highly magnetic rods which are held in position at pre-determined centres by a rigid framework. The rods emit high intensity magnetic fields across the gaps between the rods which reach into the product stream, capturing any ferrous contamination. Once captured the contamination finds sanctuary on the underside of the rod where it is safe from the effects of continuous product flow.

Easy-Clean Magnetic Grids are manufactured using 316 grade Stainless Steel for all exterior parts, making them compliant with Food Industry Standards.

### Main features and benefits:

- The grids are available in two Magnetic strengths up to 9,000 Gauss on the rod surface.

**Standard Strength** Designed to remove coarse ferrous contamination.  
**High Strength** Designed to remove fine ferrous contamination.

- Rapid cleaning facility - cleaned in seconds.
- Provides ultimate protection from a wide range of fine product contaminants.
- Totally maintenance free (apart from cleaning), no power supply, no running costs.
- Quick and easy to install. Once in position, you know its definitely working.
- Easy-Clean Grid Magnets are available in a vast range of standard sizes (many ex-stock).
- Welded and highly polished food quality 316 grade Stainless Steel.
- Supplied with full test certificates.
- Guarantee on magnetic performance.
- Contamination assessment can be carried out



# Technical Specifications

Eclipse Magnetics has a full range of magnetic separators to cover all applications. Many separators can be tailor made to exactly suit existing process pipeline and duct work.

- Magnetic Performance:** Standard strength 7,000 Gauss  
High strength 9,000 Gauss
- Magnetic Material:** High Energy 'Rare Earth' Neodymium Iron Boron.
- Material Specification:** All surface parts are 316 grade Stainless Steel.
- Finish:** Highly polished.
- Limitations:** High Intensity Rare Earth Grid Magnets should not be exposed to temperatures in excess of 100 °C (212 °F). Special Easy-Clean Grid Magnets are available to operate at temperatures up to 350 °C (662 °F), for more information please contact our Technical Department.

Part No.	A (mm)	B (mm)	C (mm)	D (mm)	No. of rods	Weight (kg)
EC1515	150	150	220	60	2	3.4
EC2020	200	200	270	60	3	5.0
EC2525	250	250	320	55	4	7.2
EC3030	300	300	370	55	5	9.6
EC3535	350	350	420	55	6	12.8



NB. Larger sizes are available on request

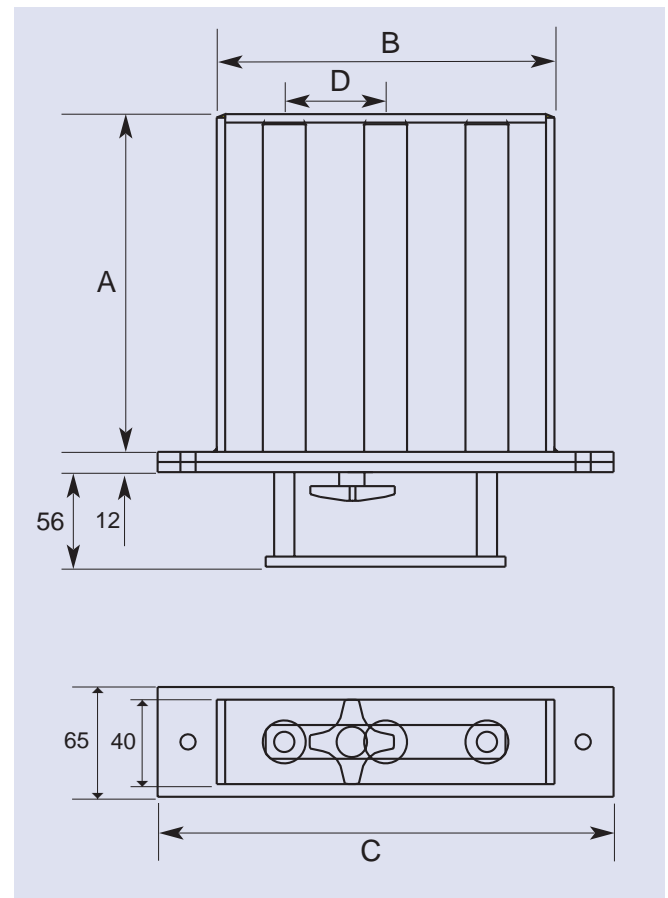
## How to Order

When ordering please use the following suffixes:

Standard Strength = SS  
High Strength = HS

**Example:** EC3535/SS

= 350mm x 350mm, Standard Strength Easy-Clean Grid



*If it's Magnetic ....*

*....Then it's Eclipse Magnetics*

Eclipse Magnetics Ltd - Separation Division  
Units 1-4 Vulcan Road, Sheffield, S9 1EW, England

Tel: 0114 225 0500  
Fax: 0114 225 0525