





At A Glance

-  **Protection: Secondary**
-  **Feed Type: Gravity**
-  **Material Type: NdFeb**
-  **Cleaning Type: Manual**

Our high intensity magnetic Rota-Grid separator has been designed specifically to process difficult products that are prone to bridging and/or caking.

The unit contains a centrally mounted magnetic 'rota' assembly: numerous 'easy clean' magnetic rods are arranged in a 'wheel' around and parallel to the axis of rotation. The number of rods used depends on the inlet and outlet size.

The assembly rotates, gently agitating the product being processed. It is this agitation that prevents blockages occurring. All dry and semi-dry powders and granular type materials, such as starch etc., can be processed through the unit. The Rota-Grid can be supplied to the most stringent of standards, such as those required in the pharmaceutical industry.



Benefits

- Easy to clean
- Reduces 'spark' risk
- Allows difficult products to be screened
- Removes sub-micron sized contaminants

Performance

Magnetic Performance	7000, 9000, 10000 (Easy clean), 11000 (Fixed) & 12000 (Fixed) Gauss
Performance Reading	On product contact surface
Magnet Grade	N35 – Inspected and confirmed via hystergograph prior to use
Temperature	-4°F / +140°F
Pressure	+ / - 3 psi
Electrical Specification	400v industrial three phase IP65 rated motor gearbox

Suitability

Suitable Products	Dry and semi-dry powders and granulates
Suitable Location	Any vertical process line

Materials

Magnetic Material	Rare Earth Neodymium Iron Boron - (NdFeb)
Housing	316 grade stainless steel
Tubing	316 grade stainless steel
Other Parts	316 grade stainless steel
Sealing	Self adhered white foam
Surface Finish	Brushed internally / Polished externally to 1.2µm

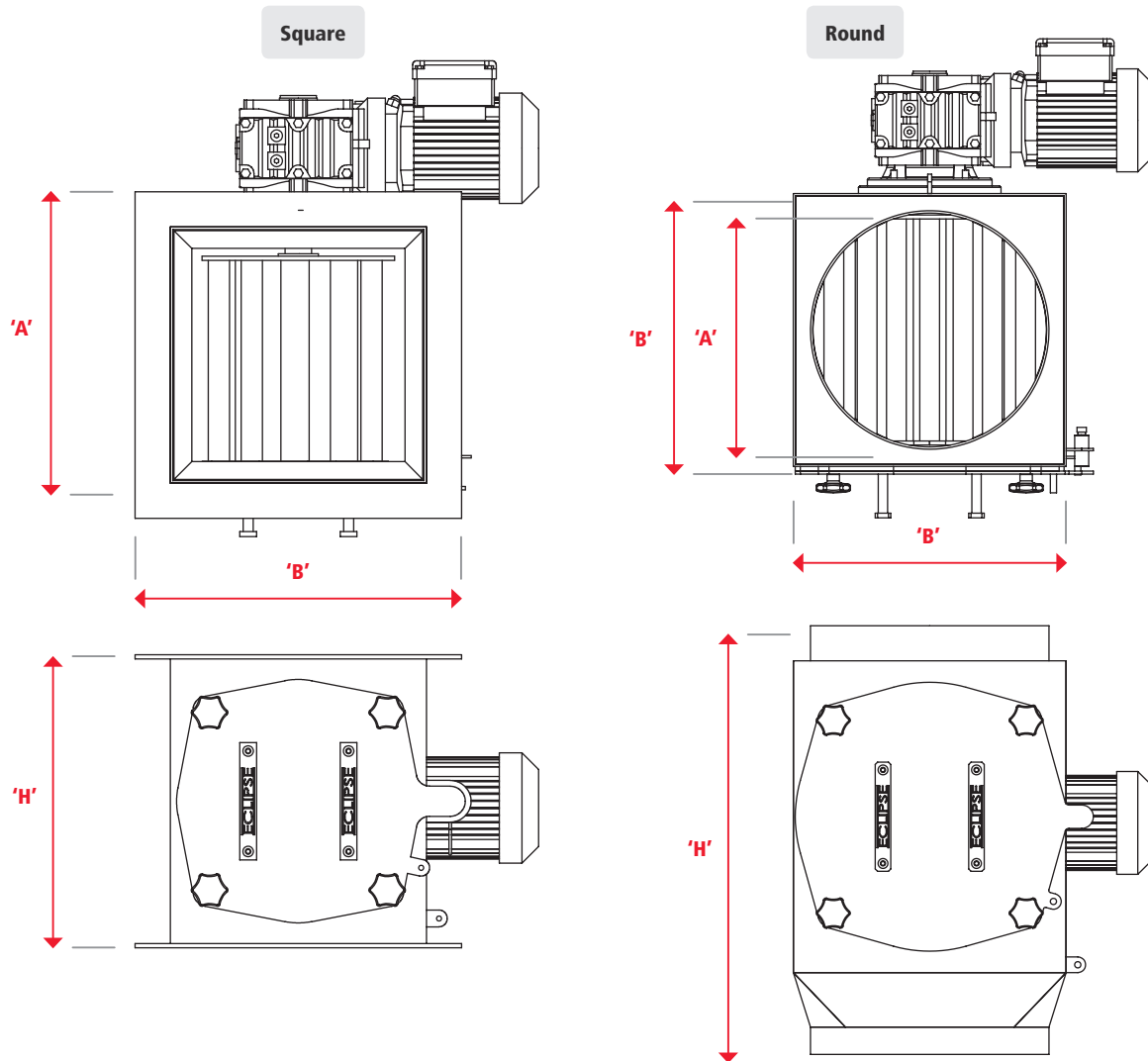
Cleaning

To clean, simply remove the door and remove the assembly from the housing. Remove the magnetic cores from the assembly. All attracted contamination will then be released allowing for inspection or further analysis.

Options

- Metal Detachable seal
- Rota support track system
- Larger sizes available
- Pharmaceutical specification





Part Number (Round)	Spout Dia. A (inches)	Width x Depth B (inches)	H (inches)	kW Rating	Number Of Rods	Weight (lbs)
RG200	8 \emptyset	10 x 10	18	0.25	6	77
RG250	10 \emptyset	12 x 12	20	0.25	7	97
RG300	12 \emptyset	14 x 14	22	0.25	9	121
RG350	14 \emptyset	16 x 16	24	0.25	10	150
RG400	16 \emptyset	18 x 18	26	0.25	13	181

Part Number (Square)	Spout Size A (inches)	Width x Depth B (inches)	H (inches)	kW Rating	Number Of Rods	Weight (lbs)
RG2020	8 sq	8 x 8	10	0.18	5	57
RG2525	10 sq	10 x 10	12	0.25	6	73
RG3030	12 sq	12 x 12	14	0.25	7	95
RG3535	14 sq	14 x 14	16	0.25	9	119
RG4040	16 sq	16 x 16	18	0.25	10	148

For non-standard sizes, please contact sales@eclipsetoolsinc.com

